



Personal Protective Equipment (PPE)

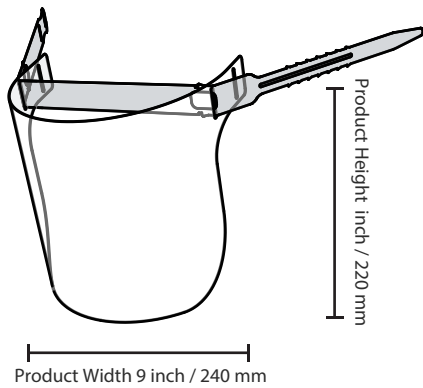
In times like this, Personal Protective Equipment (PPE) is more crucial than ever. The need to protect the facial area (eyes, nose, mouth) from splashes, sprays, and spatter of body fluids, during our day to day activities, has turned into a necessity. This is why we designed and created the perfect face shield for day-to-day use; it provides:

- Full-face protection coverage. **Under chin & ear to ear.**
- High **clarity**
- **Reusable** shield
- **Unique Suspension** Systems that reduces the effects of exhaled moisture.
- Adjustable plastic headbands, by zip-tie mechanism, that allows maximum comfort.
- **Lightweight**, flexible plastic with foam forehead cushion.
- **Easy to don** and remove using only one hand.
- The face shield **comes flat**, semi-assembled, and needs only two prep for use.
- Helps to **prolong the life of facial masks.**
- **Easy to clean.**
- One Size Fits All

REUSABLE FACE SHIELD

Help to reduce the transmission of viral disease

- Material: PET
- Product Weight (lb.): 0.14
- Protective Equipment Features: Adjustable, ventilated
- Size: One Size Fits All
- Suspension Type: Zip-tie
- transportation: super-efficient packaging for easy, cost affective logistics



Ship data:

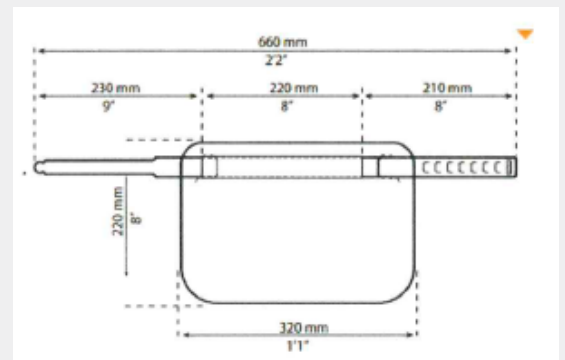
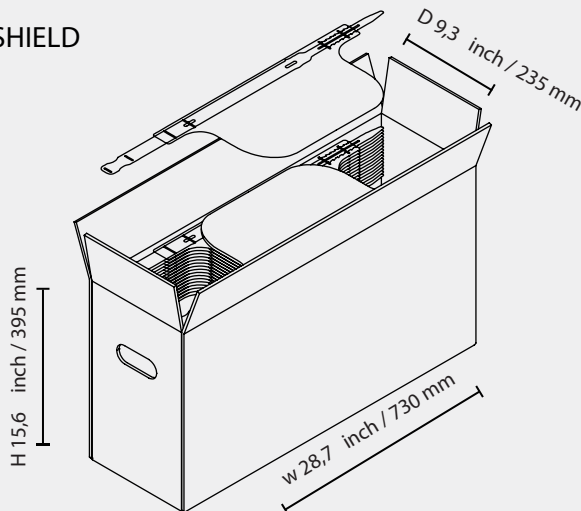
Packages type	Number of units	Weight KG	Weight LBS
Carton	150	11	24

(Can be purchased in single units)



The face shields meet CE requirements, according to EN 166 and EN 168

150 FLAT PACK FACE SHIELD



PrintSolutions

Ph: +353 1 409 8000